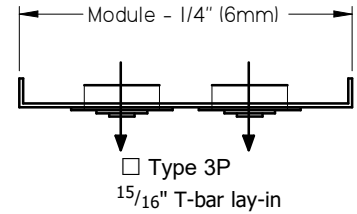
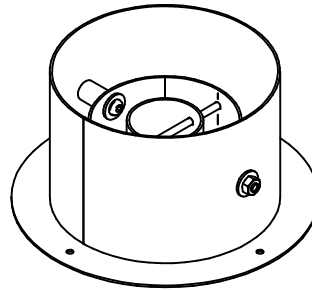
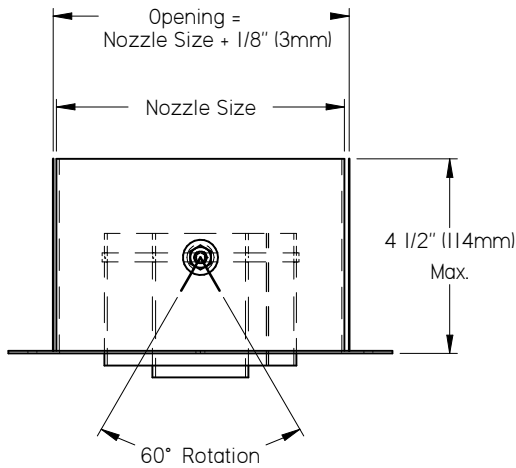
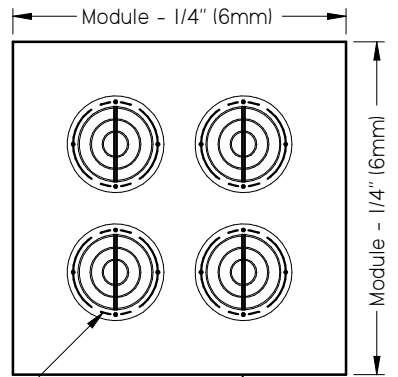
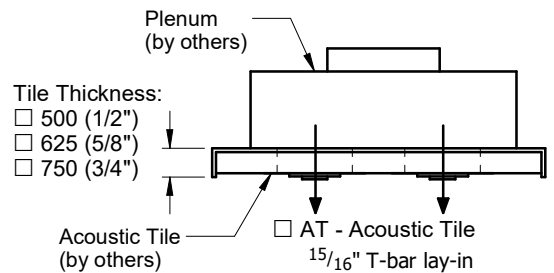
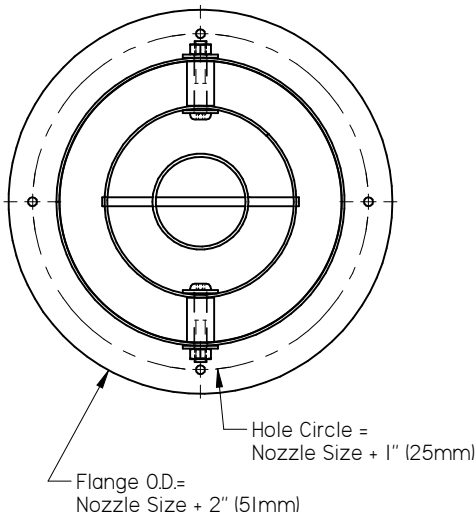


AND - AIR NOZZLE DIFFUSER



TYPE 1



STANDARD NOZZLE CONSTRUCTION:

- 16ga. Steel

FINISH:

- B12 White (Optional finishes available)

NOZZLE SIZE (DIAMETER):

- 5" (127mm)
- 6" (152mm)
- 8" (203mm)
- 10" (254mm)
- 12" (305mm)
- 14" (356mm)
- 15" (381mm)
- 16" (406mm)

NOTES:

- Factory tolerance $\pm 1/32"$ (1mm)

FASTENING:

- Type 1 - H Fastening - Straight holes (screws not included)
- Type 1P Panel - A Fastening - Countersunk holes
- Type 3P & AT Panels - 0 Fastening - No screw holes

- Nozzle Size:
- 5" \varnothing (127mm)
 - 6" \varnothing (152mm)

Panel Sizes:

- 24" x 24"
- 26" x 26"
- 28" x 28"
- 30" x 30"

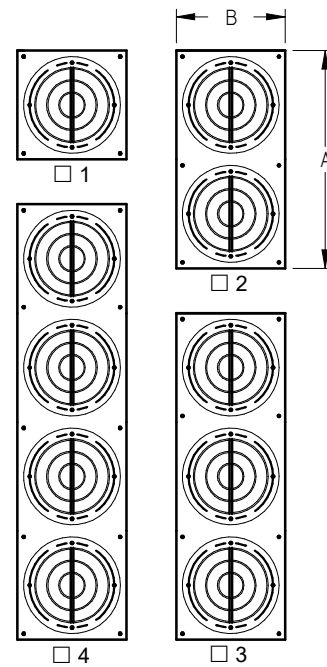
ALL METRIC DIMENSIONS () ARE SOFT CONVERTED. IMPERIAL DIMENSIONS ARE CONVERTED TO METRIC AND ROUNDED TO THE NEAREST MILLIMETER.

| | | |
|------------------------|--|-----------------------------------|
| PROJECT: | | PRICE |
| ENGINEER: | | |
| CUSTOMER: | | <i>MJ</i> |
| SUBMITTAL DATE: | | 242155 |
| SPEC. SYMBOL: | | 2020/01/14 |
| | | AND AIR NOZZLE DIFFUSER |

STANDARD PANEL SIZES PER
NOZZLE DIAMETER AND QUANTITY

| NOZZLE DIAMETER (ND) | A x B | NOZZLE QUANTITY | CEILING OPENING A X B |
|----------------------|-----------|-----------------|-----------------------|
| □ 5 | 8" x 8" | 1 | 5 1/2" x 5 1/2" |
| | 17" X 8" | 2 | 13 1/2" x 5 1/2" |
| | 25" X 8" | 3 | 21 1/2" x 5 1/2" |
| | 33" X 8" | 4 | 29 1/2" x 5 1/2" |
| □ 6 | 10" x 10" | 1 | 6 1/2" x 6 1/2" |
| | 19" x 10" | 2 | 15 1/2" x 6 1/2" |
| | 28" x 10" | 3 | 24 1/2" x 6 1/2" |
| | 37" x 10" | 4 | 33 1/2" x 6 1/2" |
| □ 8 | 12" x 12" | 1 | 8 1/2" x 8 1/2" |
| | 23" x 12" | 2 | 19 1/2" x 8 1/2" |
| | 34" x 12" | 3 | 30 1/2" x 8 1/2" |
| | 45" x 12" | 4 | 41 1/2" x 8 1/2" |
| □ 10 | 14" x 14" | 1 | 10 1/2" x 10 1/2" |
| | 27" x 14" | 2 | 23 1/2" x 10 1/2" |
| | 40" x 14" | 3 | 36 1/2" x 10 1/2" |
| | 53" x 14" | 4 | 49 1/2" x 10 1/2" |
| □ 12 | 16" x 16" | 1 | 12 1/2" x 12 1/2" |
| | 31" x 16" | 2 | 27 1/2" x 12 1/2" |
| | 46" x 16" | 3 | 42 1/2" x 12 1/2" |
| | 61" x 16" | 4 | 57 1/2" x 12 1/2" |
| □ 14 | 18" x 18" | 1 | 14 1/2" x 14 1/2" |
| | 35" x 18" | 2 | 31 1/2" x 14 1/2" |
| | 52" x 18" | 3 | 48 1/2" x 14 1/2" |
| | 69" x 18" | 4 | 65 1/2" x 14 1/2" |
| □ 15 | 19" x 19" | 1 | 15 1/2" x 15 1/2" |
| | 37" x 19" | 2 | 33 1/2" x 15 1/2" |
| | 55" x 19" | 3 | 51 1/2" x 15 1/2" |
| | 73" x 19" | 4 | 69 1/2" x 15 1/2" |
| □ 16 | 20" x 20" | 1 | 16 1/2" x 16 1/2" |
| | 39" x 20" | 2 | 35 1/2" x 16 1/2" |
| | 58" x 20" | 3 | 54 1/2" x 16 1/2" |
| | 77" x 20" | 4 | 73 1/2" x 16 1/2" |

TYPE 1P □
SURFACE MOUNTED



ALL METRIC DIMENSIONS () ARE SOFT CONVERTED. IMPERIAL DIMENSIONS ARE CONVERTED TO METRIC AND ROUNDED TO THE NEAREST MILLIMETER.

| | | |
|------------------------|--|-----------------------------------|
| PROJECT: | | PRICE |
| ENGINEER: | | |
| CUSTOMER: | | <i>MJ</i> |
| SUBMITTAL DATE: | | 242155 |
| SPEC. SYMBOL: | | 2020/01/14 |
| | | AND AIR NOZZLE DIFFUSER |